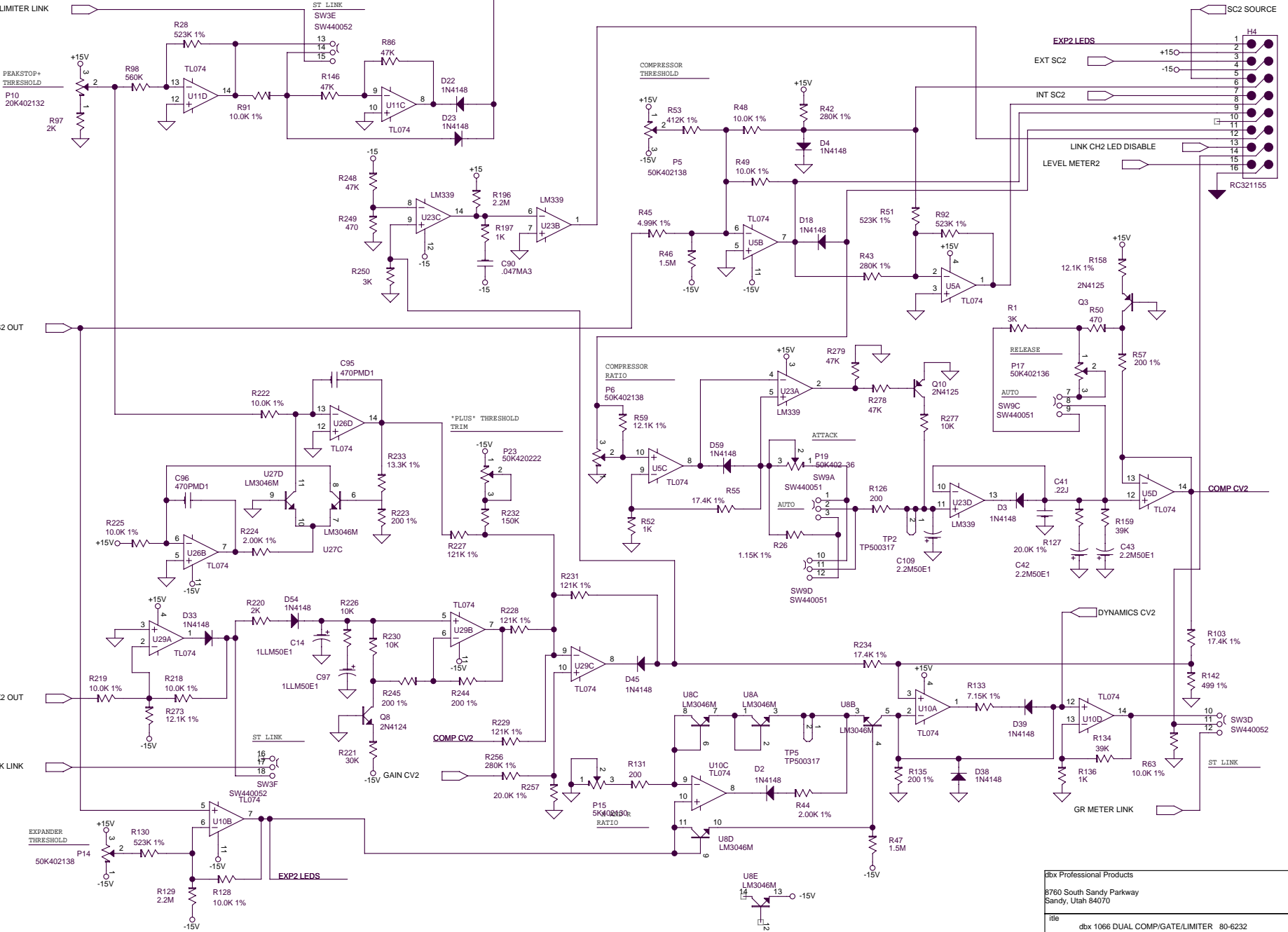


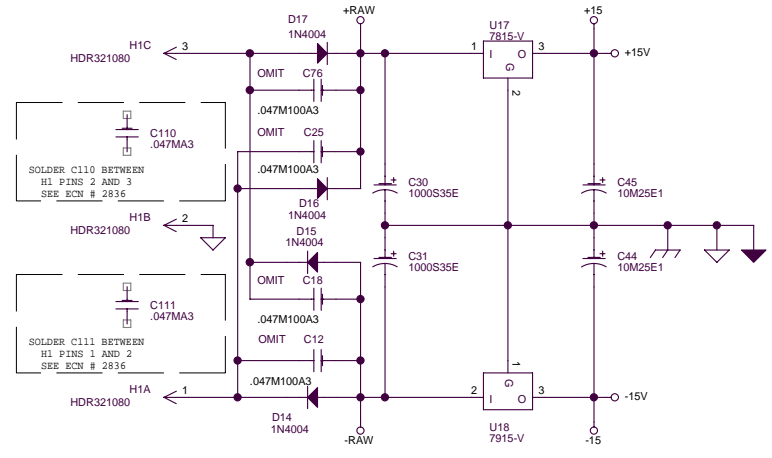
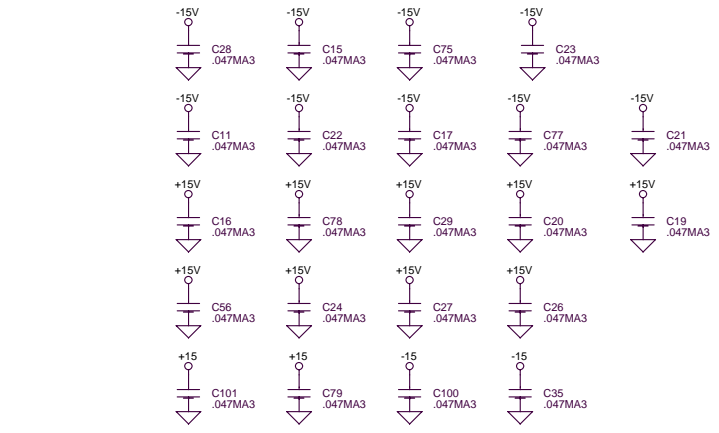
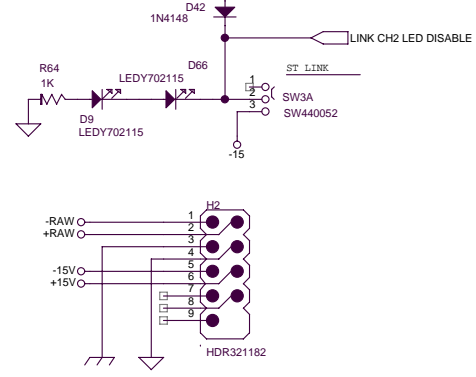
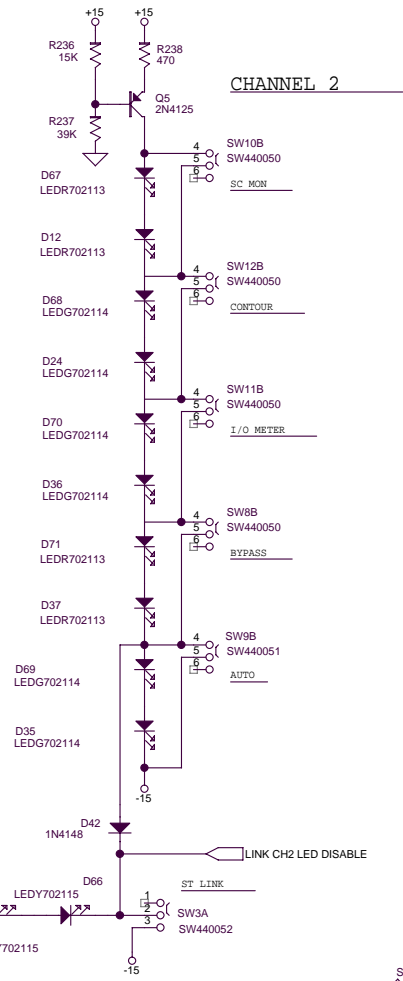
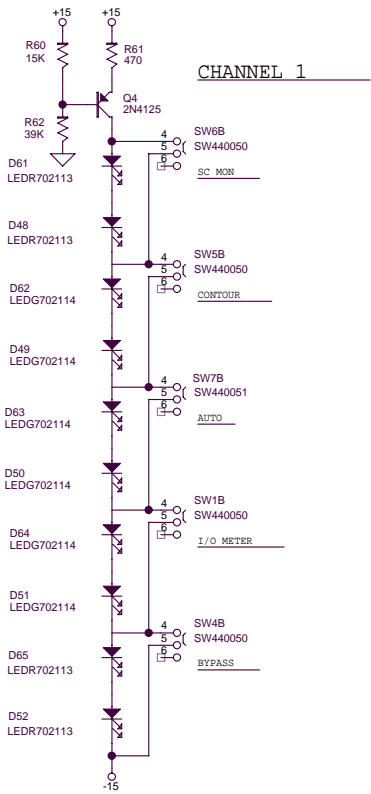
dbx Professional Products		
8760 South Sandy Parkway Sandy, Utah 84070		
file dbx 1066 DUAL COMP/GATE/LIMITER 80-6232		
Size B	Document Number 056232C0.002	Rev C0
Date Tuesday March 07 2006	Sheet 2 of 5	

CHANNEL 2



dbx Professional Products		
8760 South Sandy Parkway Sandy, Utah 84070		
file dbx 1066 DUAL COMP/GATE/LIMITER 80-6232		
Size B	Document Number 056232C0.004	Rev C0
Date	Tuesday March 07 2006	Sheet 4 of 5





- SC1 SC340200B
- SC2A SC340200B
- SC3 SC340200B
- SC4 SC340200B
- PCB1 80-6232
- SR1 SR280059
- SR2 SR280059
- SR3 SR280056
- SR4 SR280056
- HS1 HS141197A
- HS2 HS142554A
- HS3 INS704209
- SC5 SC340200B
- SC6 SC340200B
- SC7 SC340200B
- SC8 SC340200B
- SC9 SC340200B
- SC10 SC340200B
- SC11 SC340200B

dbx Professional Products		
8760 South Sandy Parkway Sandy, Utah 84070		
file dbx 1066 DUAL COMP/GATE/LIMITER 80-6232		
Size B	Document Number 06232C0.005	Rev C0
Date Tuesday March 07 2006	Sheet 5 of 5	



DOD Software  
 dbx 1066 DUAL COMP/GATE/LIMITER 80-6232 Revised: February 27, 2006  
 056232C0.000 Revision: C0  
 Bill Of Materials March 2, 2006 10:50:56  
 Quan Reference Part SYMAN Description

8	C1,C32,C50,C52,C57,C59, C61,C67	10PJD	62-0013	10	pF Cap	50V	5%	Ceramic Disc
6	C2,C8,C49,C51,C58,C60	50PJD1	62-0008	50	pF Cap	50V	5%	Ceramic Disc T&R
18	C3,C13,C34,C46,C54,C62, C65,C66,C70,C74,C91,C92, C95,C96,C102,C103,C106, C107	470PMD1	62-0003	470	pF Cap	50V	20%	Ceramic Disc T&R
30	C4,C9,C11,C15,C16,C17, C19,C20,C21,C22,C23,C24, C26,C27,C28,C29,C35,C56, C75,C77,C78,C79,C80,C81, C89,C90,C100,C101,C110, C111	.047MA3	62-0067	0.047	uF Cap	50V	20%	Axial Monolithic
2	C5,C63	.047J	56-0010	.047	uF Cap	50V	5%	Stacked Metal Pet 473J ammo
6	C6,C10,C64,C69,C104,C105	1M50E1	60-0044-01	1.0	uF Cap	50V	-20/+20%	Elect., T&R C&F
6	C7,C40,C42,C43,C108,C109	2.2M50E1	60-0400	2.2	uF Cap	50V	-20/+20%	Elect. Rad, T&R
4	C14,C93,C94,C97	1LLM50E1	60-0045-01	1.0	uF Cap	50V	20%	Elect., LL T&R
2	C30,C31	1000S35E	60-0063	1000	uF Cap	35V	-20/+80%	Elect
2	C33,C36	.39J	56-0040	.39	uF Cap	50V	5%	Stacked Metal Pet 394J ammo
2	C37,C47	.0047J	56-0004	.0047	uF Cap	50V	5%	Poly Film 472J ammo
2	C38,C48	.15J	56-0013	.15	uF Cap	50V	5%	Stacked Metal Pet 154J ammo
2	C39,C41	.22J	56-0014	.22	uF Cap	50V	5%	Stacked Metal Pet 224J ammo
2	C44,C45	10M25E1	60-0050-01	10	uF Cap	25V	-20/+20%	Elect.,-S Ammo
2	C53,C68	22NPM25E1	60-0402	22	uF Cap	25V	-20/+20%	Elect. NP , T&R
2	C55,C73	.33LLM50E1	60-0061-01	.33	uF Cap	50V	20%	Elect, LL T&R
2	C71,C72	47ME1	60-0054-01	47	uF Cap	16V	-20/+20%	Elect., T&R, 5X8mm body
37	D1,D2,D3,D4,D5,D6,D8,D11, D13,D18,D19,D20,D21,D22, D23,D25,D26,D30,D31,D32, D33,D38,D39,D40,D41,D42, D43,D44,D45,D53,D54,D56, D59,D72,D73,D74,D75	1N4148	70-0002	1N4148	Diode Silicon Switching,	75 Volts PIV		
6	D7,D10,D14,D15,D16,D17	1N4004	70-0009	1N4004	Rect 1A 400V			
2	D9,D66	LEDY702115	70-2115	Yellow	Light Emitting Diode, T1 (AUTO INSERT)			
8	D12,D37,D48,D52,D61,D65, D67,D71	LEDR702113	70-2113	Red	Light Emitting Diode, T1 (AUTO INSERT)			
16	D24,D28,D29,D35,D36,D46, D47,D49,D50,D51,D62,D63, D64,D68,D69,D70	LEDG702114	70-2114	Green	Light Emitting Diode, T1 (AUTO INSERT)			
1	H1	HDR321080	32-1080	3	Pin Header, 0.1" spacing, 0.025" sq pins, Locking			
1	H2	HDR321182	32-1182	9	Pin Hdr, 5X2, Straight, .23", 0.1" spacing			
2	H3,H4	RC321155	32-1155	16	Pin Ribbon Cable, Flat, w/2 ends, 3.00", 0.1" spacing			
1	HS1	HS141197A	14-1197-A	dbx	Heatsink Bracket, 3-REG, vertical			
1	HS2	HS142554A	14-2554-A	Heatsink,	Top, 3-REG			
1	HS3	INS704209	70-4209	Insulator,	3 Regulator Heatsink			
8	J1,J3,J6,J10,J11,J13,J14, J15	J320119	32-0119	1/4	Phone Jack, Hor. Mount, Full Nose Thread Slimline			
2	J2,J4	J320204	32-0204	XLR Male,	R/A PC Mount A Series			
2	J9,J12	J320206	32-0206	XLR Female,	R/A PC Mount Latching A Series			
2	K1,K2	RLY725142	72-5142	DPDT	Relay Switch, 24VDC Polarized			
8	P1,P4,P7,P9,P21,P22,P23, P24	50K420222	42-0222	50	K Trim Pot, Vertical Mount, 3/4 turn			

Page

DOD Software  
 dbx 1066 DUAL COMP/GATE/LIMITER 80-6232 Revised: February 27, 2006  
 056232C0.000 Revision: C0  
 Bill Of Materials March 2, 2006 10:50:56  
 Quan Reference Part SYMAN Description

8	P2,P3,P5,P6,P13,P14,P16, P18	50K402138	40-2138	50	K "B"	16mm, Rot Pot,	15mm D shaft,	41 Click
2	P8,P10	20K402132	40-2132	20	K "A"	16mm, Rot Pot,	15mm D shaft,	41 Click
4	P11,P17,P19,P20	50K402136	40-2136	50	K "A"	16mm, Rot Pot,	15mm D shaft,	41 Click
2	P12,P15	5K402130	40-2130	5	K "C"	16mm, Rot Pot,	15mm D shaft,	41 Click
1	PCB1	80-6232	80-6232	dbx	1066 MAIN BOARD PCB, RAW			
4	Q1,Q2,Q7,Q8	2N4124	70-1009	2N4124	NPN, Gen. Purp. Amplifier/Switching Xstr T&R			
6	Q3,Q4,Q5,Q6,Q9,Q10	2N4125	70-1008	2N4125	PNP, Gen. Purp. Amplifier/Switching Xstr			
4	R1,R118,R250,R253	3K	50-0211	3	KOhm Resistor	5% 1/4 Watt Carbon Film		
16	R2,R69,R72,R105,R110, R127,R150,R165,R169,R188, R255,R257,R258,R259,R266, R267	20.0K 1%	52-0091	20.0	KOhm Resistor	1% 1/4 Watt Metal Film		
4	R3,R96,R215,R232	150K	50-0038	150	KOhm Resistor	5% 1/4 Watt Carbon Film		
10	R4,R27,R59,R79,R80,R158, R172,R176,R265,R273	12.1K 1%	52-0103	12.1	KOhm Resistor	1% 1/4 Watt Metal Film		
8	R5,R28,R51,R92,R114,R115, R122,R130	523K 1%	52-0237	523	KOhm Resistor	1% 1/4 Watt Metal Film		

24	R6,R29,R48,R49,R63,R91, R120,R128,R147,R148,R152, R153,R201,R202,R205,R208, R218,R219,R222,R225,R260, R264,R268,R272	10.0K 1%	52-0107	10.0 KOhm Resistor	1%	1/4	Watt Metal Film
4	R7,R30,R31,R99	4.53K 1%	52-0119	4.53 KOhm Resistor	1%	1/4	Watt Metal Film
4	R8,R9,R33,R34	3.16K 1%	52-0132	3.16 KOhm Resistor	1%	1/4	Watt Metal Film
2	R10,R32	3.24K 1%	52-0124	3.24 KOhm Resistor	1%	1/4	Watt Metal Film
4	R11,R12,R35,R36	24.9K 1%	52-0039	24.9 KOhm Resistor	1%	1/4	Watt Metal Film
8	R13,R24,R37,R54,R55,R103, R217,R234	17.4K 1%	52-0047	17.4 KOhm Resistor	1%	1/4	Watt Metal Film
6	R14,R38,R76,R98,R137, R140	560K	50-0269	560 KOhm Resistor	5%	1/4	Watt Carbon Film
4	R15,R16,R41,R90	60.4 1%	52-0450	60.4 Ohm Resistor	1%	1/4	Watt Metal Film
2	R17,R40	6.04K 1%	52-0115	6.04 KOhm Resistor	1%	1/4	Watt Metal Film
6	R18,R42,R43,R155,R254, R256	280K 1%	52-0262	280 KOhm Resistor	1%	1/4	Watt Metal Film
6	R19,R62,R107,R134,R159, R237	39K	50-0029	39 KOhm Resistor	5%	1/4	Watt Carbon Film
8	R20,R21,R46,R47,R75,R94, R191,R200	1.5M	50-0053	1.5 MOhm Resistor	5%	1/4	Watt Carbon Film
6	R22,R44,R207,R224,R263, R271	2.00K 1%	52-0186	2.00 KOhm Resistor	1%	1/4	Watt Metal Film
17	R23,R52,R56,R64,R100, R109,R116,R123,R124,R136, R138,R141,R144,R157,R171, R195,R197	1K	50-0012	1 KOhm Resistor	5%	1/4	Watt Carbon Film
4	R25,R26,R117,R187	1.15K 1%	52-2024	1.15 KOhm Resistor	1%	1/4	Watt Metal Film
2	R39,R93	22M	50-0307	22 MOhm Resistor	5%	1/4	Watt Carbon Film
2	R45,R156	4.99K 1%	52-0165	4.99 KOhm Resistor	1%	1/4	Watt Metal Film
6	R50,R61,R173,R238,R249, R252	470	50-0006	470 Ohm Resistor	5%	1/4	Watt Carbon Film
2	R53,R154	412K 1%	52-0247	412 KOhm Resistor	1%	1/4	Watt Metal Film
14	R57,R58,R95,R108,R135, DOD Software	200 1%	52-0376	200 Ohm Resistor	1%	1/4	Watt Metal Film
dbx 1066 DUAL COMP/GATE/LIMITER 80-6232 Revised: February 27, 2006							
056232C0.000 Revision: C0							
Bill Of Materials March 2, 2006 10:50:56							
Quan Reference Part SYMAN Description							
<hr/>							
	R174,R175,R206,R223,R244, R245,R246,R262,R270						
2	R60,R236	15K	50-0019	15 KOhm Resistor	5%	1/4	Watt Carbon Film
12	R65,R66,R67,R68,R161, R162,R163,R164,R216,R233, R261,R269	13.3K 1%	52-0053	13.3 KOhm Resistor	1%	1/4	Watt Metal Film
6	R70,R71,R112,R166,R168, R190	57.6K 1%	52-0018	57.6 KOhm Resistor	1%	1/4	Watt Metal Film
2	R73,R81	20	50-0157	20 Ohm Resistor	5%	1/4	Watt Carbon Film
18	R74,R82,R84,R85,R86,R87, R113,R132,R139,R146,R167, R170,R248,R251,R275,R276, R278,R279	47K	50-0030	47 KOhm Resistor	5%	1/4	Watt Carbon Film
2	R77,R89	2.67K 1%	52-0178	2.67 KOhm Resistor	1%	1/4	Watt Metal Film
2	R78,R88	5.76K 1%	52-0116	5.76 KOhm Resistor	1%	1/4	Watt Metal Film
4	R83,R102,R142,R160	499 1%	52-0338	499 Ohm Resistor	1%	1/4	Watt Metal Film
4	R97,R149,R203,R220	2K	50-0013	2 KOhm Resistor	5%	1/4	Watt Carbon Film
2	R101,R125	10M	50-0060	10M MOhm Resistor	5%	1/4	Watt Carbon Film
4	R104,R119,R126,R131	200	50-0004	200 Ohm Resistor	5%	1/4	Watt Carbon Film
2	R106,R133	7.15K 1%	52-0113	7.15 KOhm Resistor	1%	1/4	Watt Metal Film
2	R111,R189	28.0K 1%	52-0035	28.0 KOhm Resistor	1%	1/4	Watt Metal Film
4	R121,R129,R194,R196	2.2M	50-0282	2.2 MOhm Resistor	5%	1/4	Watt Carbon Film
10	R143,R177,R210,R211,R212, R214,R227,R228,R229,R231	121K 1%	52-0297	121 KOhm Resistor	1%	1/4	Watt Metal Film
2	R145,R151	3.9K	50-2350	3.9 KOhm Resistor	5%	1/4	Watt Carbon Film
4	R192,R193,R198,R199	0	50-0050	0 Ohm Resistor	5%	1/4	Watt Carbon Film
2	R204,R221	30K	50-0236	30 KOhm Resistor	5%	1/4	Watt Carbon Film
6	R209,R213,R226,R230,R274, R277	10K	50-0020	10 KOhm Resistor	5%	1/4	Watt Carbon Film
11	SC1,SC2A,SC3,SC4,SC5,SC6, SC7,SC8,SC9,SC10,SC11	SC340200B	34-0200-B	Switch Cap, Lighted, blank, dbx			
2	SC2,SC13	SC340125	34-0125	Switch Cap, Black			
2	SR1,SR2	SR280059	28-0059	Screw, 6-32 x 1/4", Pozi, Pan, Black			
2	SR3,SR4	SR280056	28-0056	Screw, 6-32 x 1/2", Pozi, Pan, Black			
8	SW1,SW4,SW5,SW6,SW8,SW10, SW11,SW12	SW440050	44-0050	Mini In/Out DPDT Switch (6 Pin) E-Switch			
4	SW2,SW7,SW9,SW13	SW440051	44-0051	Mini In/Out 4PDT Switch (12 Pin) E-Switch			
1	SW3	SW440052	44-0052	Mini In/Out 6PDT Switch (18 Pin) E-Switch			
7	TP1,TP2,TP3,TP4,TP5,TP6, TP7	TP500317	50-0317	0	Ohm Test Pt	5%	1/4 Watt Carbon Film Radial T&R
6	TR1,TR2,C12,C18,C25,C76	OMIT	00-0000	This part has been omitted			
10	U1,U5,U10,U11,U16,U21, U24,U26,U28,U29	TL074	72-4021	Quad JFet-Input Op-Amp			



056232C0.PLS

2	U2,U6	1253	72-4067	RMS Detector,dbx UPC1253HA2 NEC	
2	U3,U13	NE5532	72-4316	5532 Low Noise Dual Op-Amp	
4	U4,U8,U25,U27	LM3046M	72-4331	LM3046M NPN Matched Transister Pairs SM	
4	U7,U9,U14,U15	MC33078	72-4248	Dual OP-AMP	
2	U12,U20	DBXV2	72-4057	dbx V2 VCA	
1	U17	7815-V	70-4123	7815 +15 Volt 1 A Voltage Regulator	TO-220 VERT
1	U18	7915-V	70-4124	7915 -15 Volt 1 A Voltage Regulator	TO-220 VERT
2	U22,U23	LM339	72-4053	Quad Comparator	
8	WA1,WA3,WA6,WA10,WA11,	WA280187	28-0187-A	Washer, for grounding J320119	

DOD Software

Page

dbx 1066 DUAL COMP/GATE/LIMITER 80-6232 Revised: February 27, 2006

056232C0.000 Revision: C0

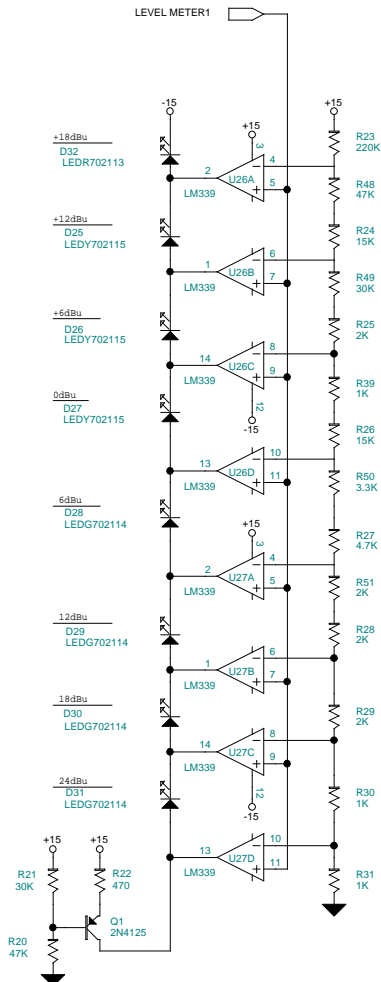
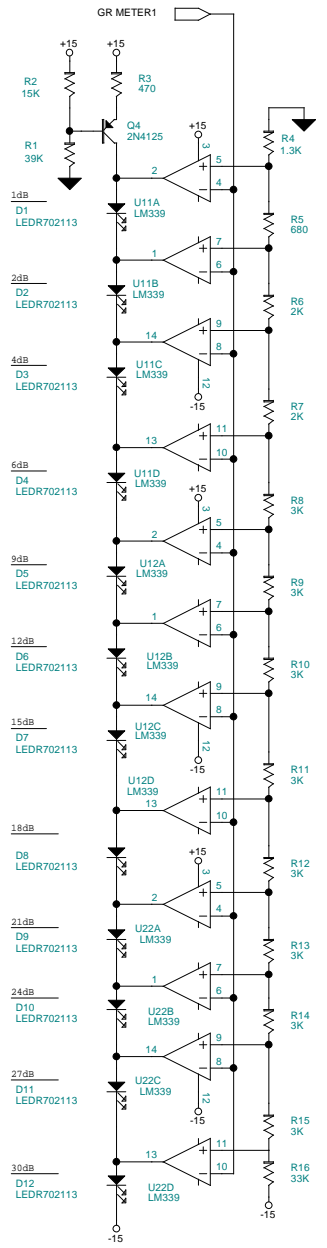
Bill Of Materials March 2, 2006 10:50:56

Quan Reference Part SYMAN Description

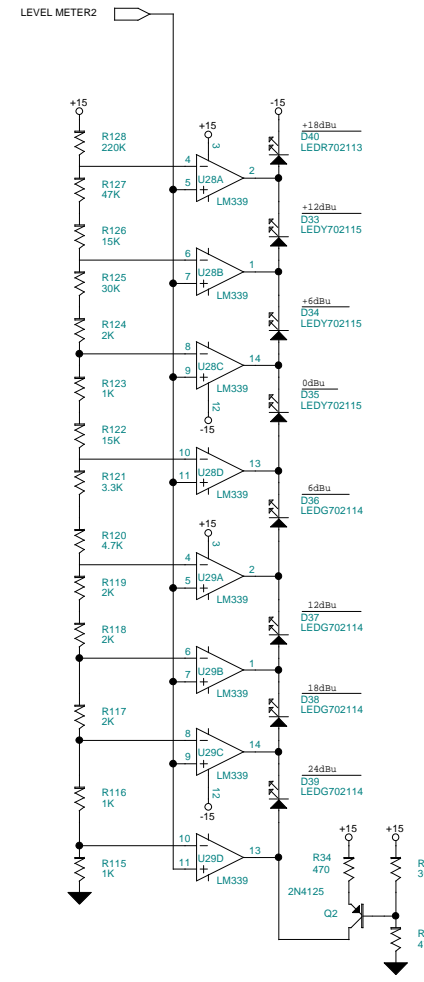
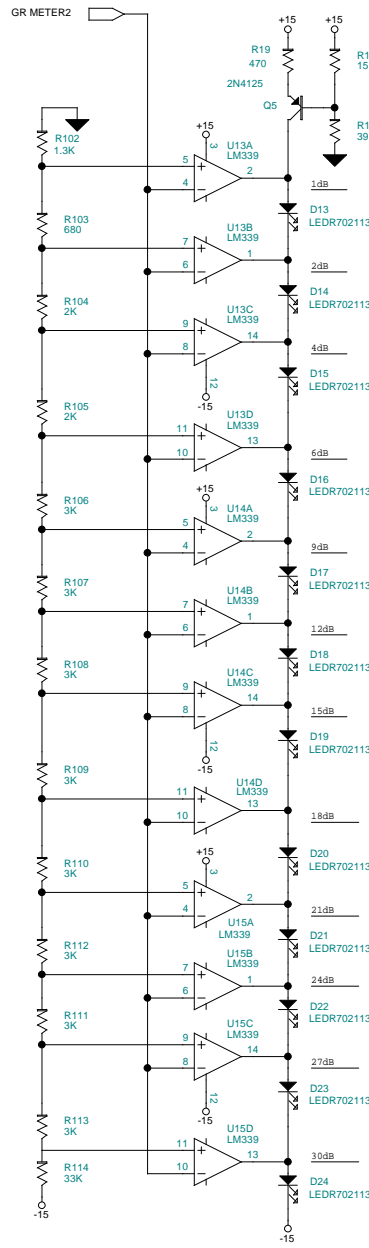
WA13,WA14,WA15



CHANNEL 1



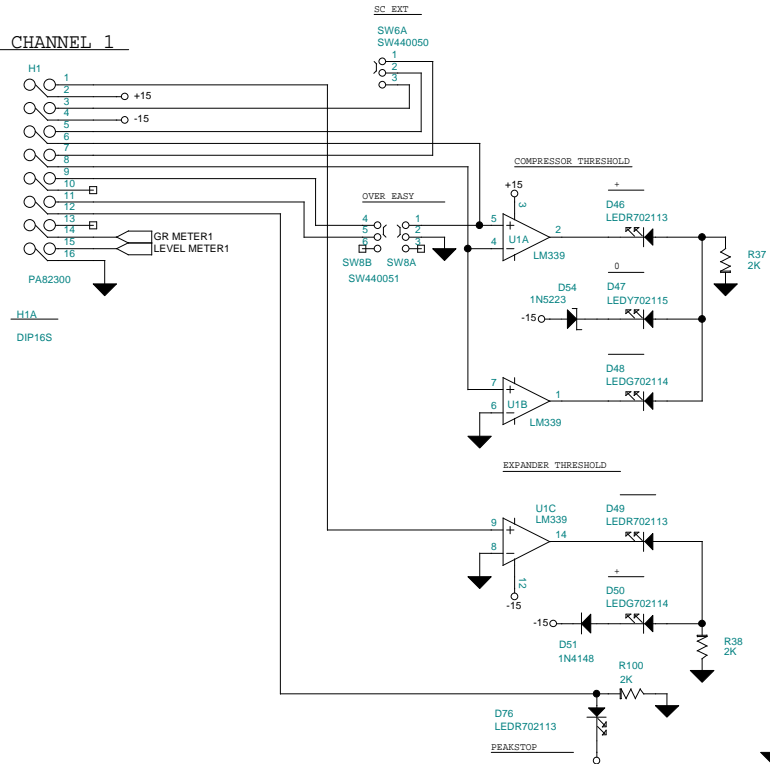
CHANNEL 2



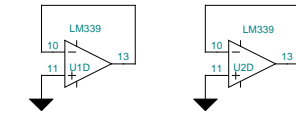
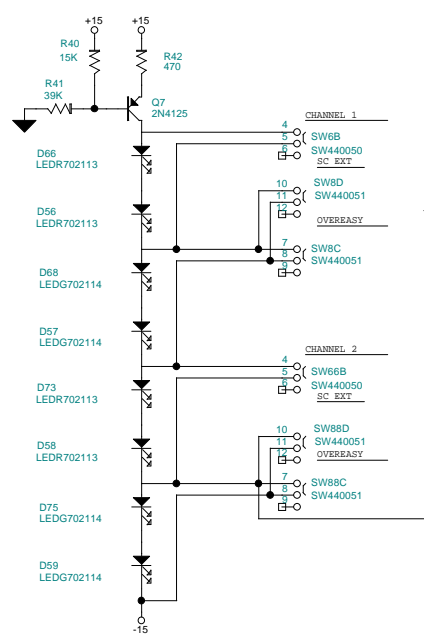
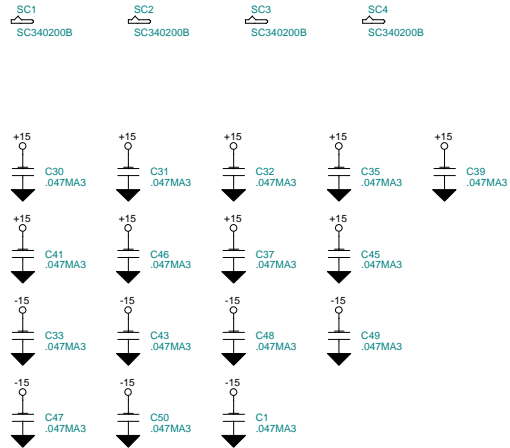
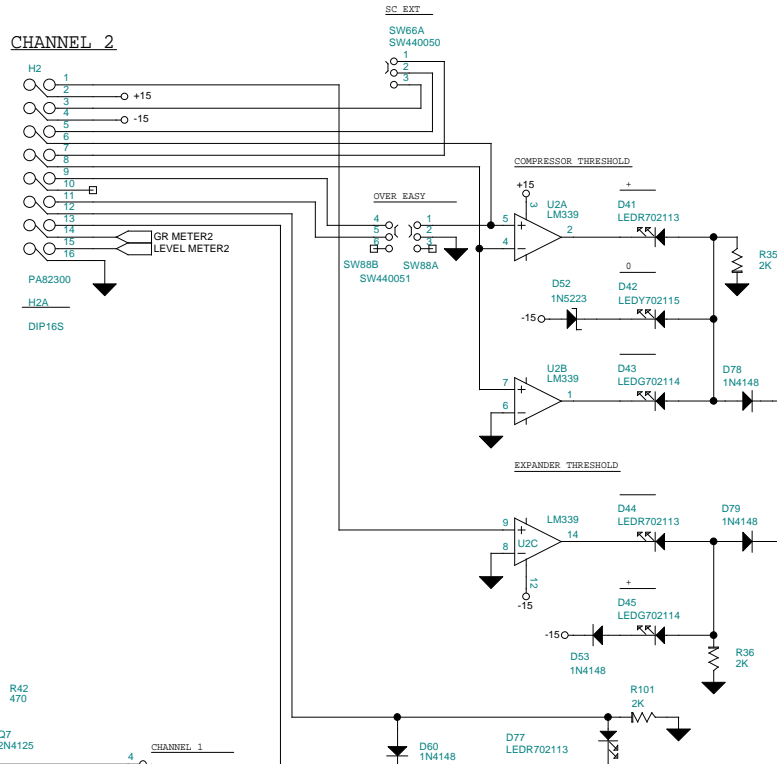
PCB1  
80-6233-A

dbx Professional Products		
8760 South Sandy Parkway Sandy, Utah 84070		
Title dbx 1066 DISPLAY BOARD 80-6233		
Size B	Document Number 056233A5.001	Rev A5
Date	Monday October 25 1999	Sheet 1 of 2

CHANNEL 1



CHANNEL 2



dbx Professional Products		
8760 South Sandy Parkway Sandy, Utah 84070		
Title dbx 1066 DISPLAY BOARD 80-6233		
Size B	Document Number 056233A5.002	Rev A5
Date	Monday October 25 1999	Sheet 2 of 2

dbx 1066 DISPLAY BOARD 80-6233 Revised: May 27, 1998  
 056233A5.000 Revision: A5  
 Bill Of Materials May 27, 1998 9:03:11  
 Quan Reference Part SYMAN Description

Quan	Reference	Part	SYMAN	Description
16	C1,C30,C31,C32,C33,C35, C37,C39,C41,C43,C45,C46, C47,C48,C49,C50	.047MA3	62-0067	0.047 uF Cap 50V 20% Axial Monolithic
36	D1,D2,D3,D4,D5,D6,D7,D8, D9,D10,D11,D12,D13,D14, D15,D16,D17,D18,D19,D20, D21,D22,D23,D24,D32,D40, D41,D44,D46,D49,D56,D58, D66,D73,D76,D77	LEDR702113	70-2113	Red Light Emitting Diode, T1 (AUTO INSERT)
8	D25,D26,D27,D33,D34,D35, D42,D47	LEDY702115	70-2115	Yellow Light Emitting Diode, T1 (AUTO INSERT)
16	D28,D29,D30,D31,D36,D37, D38,D39,D43,D45,D48,D50, D57,D59,D68,D75	LEDG702114	70-2114	Green Light Emitting Diode, T1 (AUTO INSERT)
6	D51,D53,D55,D60,D78,D79	1N4148	70-0002	1N4148 Diode Silicon Switching, 75 Volts PIV
2	D52,D54	1N5223	70-0041	1N5223 Diode Zener Glass, 1/2W, 50V, 10%
2	H1,H2	PA82300	00-0000	8X2 Pin Pad Pattern, Not a part, .300 Spacing
2	H1A,H2A	DIP16S	70-3022	16 Pin Dip Socket
1	PCB1	80-6233-A	80-6233-A	dbx 1066 DISPLAY BOARD PCB, RAW
5	Q1,Q2,Q4,Q5,Q7	2N4125	70-1008	2N4125 PNP, Gen. Purp. Amplifier/Switching Xstr
3	R1,R17,R41	39K	50-0029	39 KOhm Resistor 5% 1/4 Watt Carbon Film
7	R2,R18,R24,R26,R40,R122, R126	15K	50-0019	15 KOhm Resistor 5% 1/4 Watt Carbon Film
5	R3,R19,R22,R34,R42	470	50-0006	470 Ohm Resistor 5% 1/4 Watt Carbon Film
2	R4,R102	1.3K	50-0011	1.3 KOhm Resistor 5% 1/4 Watt Carbon Film
2	R5,R103	680	50-0007	680 Ohm Resistor 5% 1/4 Watt Carbon Film
18	R6,R7,R25,R28,R29,R35, R36,R37,R38,R51,R100, R101,R104,R105,R117,R118, R119,R124	2K	50-0013	2 KOhm Resistor 5% 1/4 Watt Carbon Film
16	R8,R9,R10,R11,R12,R13, R14,R15,R106,R107,R108, R109,R110,R111,R112,R113	3K	50-0211	3 KOhm Resistor 5% 1/4 Watt Carbon Film
2	R16,R114	33K	50-0028	33 KOhm Resistor 5% 1/4 Watt Carbon Film
4	R20,R32,R48,R127	47K	50-0030	47 KOhm Resistor 5% 1/4 Watt Carbon Film
4	R21,R33,R49,R125	30K	50-0236	30 KOhm Resistor 5% 1/4 Watt Carbon Film
2	R23,R128	220K	50-0040	220 KOhm Resistor 5% 1/4 Watt Carbon Film
2	R27,R120	4.7K	50-0015	4.7 KOhm Resistor 5% 1/4 Watt Carbon Film
6	R30,R31,R39,R115,R116, R123	1K	50-0012	1 KOhm Resistor 5% 1/4 Watt Carbon Film
2	R50,R121	3.3K	50-0014	3.3 KOhm Resistor 5% 1/4 Watt Carbon Film
4	SC1,SC2,SC3,SC4	SC340200B	34-0200-B	Switch Cap, Lighted, blank, dbx
2	SW6,SW66	SW440050	44-0050	Mini In/Out DPDT Switch (6 Pin) E-Switch
2	SW8,SW88	SW440051	44-0051	Mini In/Out 4PDT Switch (12 Pin) E-Switch
12	U1,U2,U11,U12,U13,U14, U15,U22,U26,U27,U28,U29	LM339	72-4053	Quad Comparator